

MODEL ANSWER

WINTER – 18 EXAMINATION

SUBJECT TITLE: ENGINEERING DRAWING

Subject Code:

22207

Important Instructions to examiners:

- 1) The answers should be examined by key words and not as word-to-word as given in the model answer scheme.
- 2) The model answer and the answer written by candidate may vary but the examiner may try to assess the understanding level of the candidate.
- 3) The language errors such as grammatical, spelling errors should not be given more importance (Not applicable for subject English and Communication Skills).
- 4) While assessing figures, examiner may give credit for principal components indicated in the figure. The figures drawn by candidate and model answer may vary. The examiner may give credit for any equivalent figure drawn.
- 5) Credits may be given step wise for numerical problems. In some cases, the assumed constant values may vary and there may be some difference in the candidate's answers and model answer.
- 6) In case of some questions credit may be given by judgement on part of examiner of relevant answer based on candidate's understanding.
- 7) For programming language papers, credit may be given to any other program based on equivalent concept.

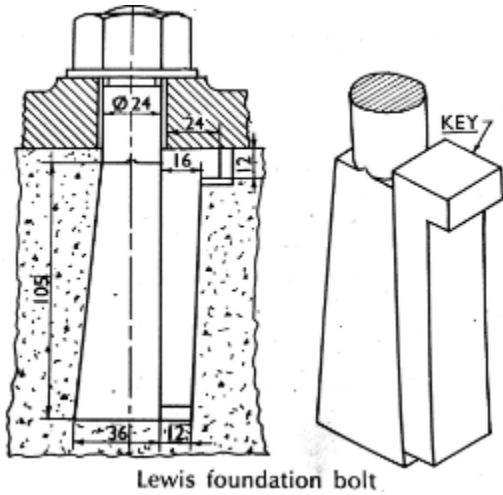
| Q. No. | Sub Q. N. | Answer | Marking Scheme |
|--------|-----------|--|----------------|
| 1 | | <p>Solve any Five:</p> <p>a) Double Rivetted lap Joint (Chain Type) b) Flexible Flange Coupling</p> | 02 Marks each |

OUR CENTERS :

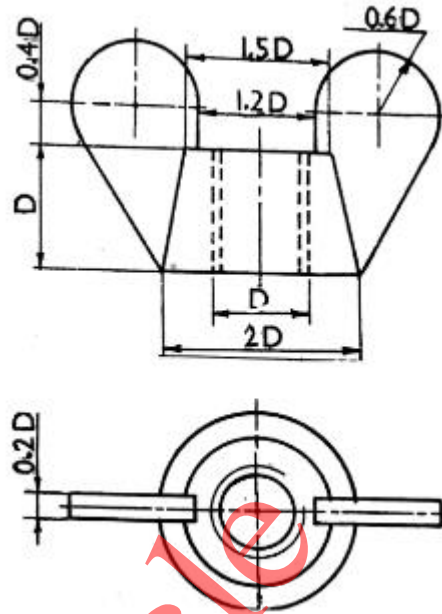
KALYAN | DOMBIVLI | THANE | NERUL | DADAR

Contact - 9136008228

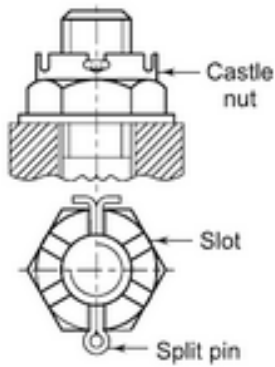
c) Lewis Foundation Bolt



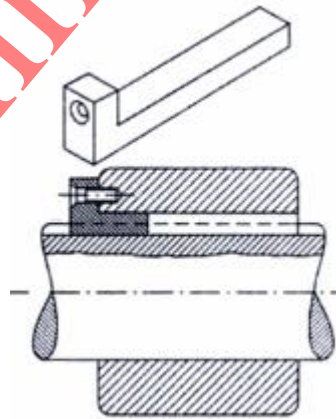
d) Wing Nut



e) Castle Nut

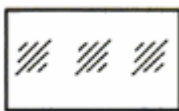


f) Single headed feather key



F) conventional representation of materials

I) Glass



II) Concrete



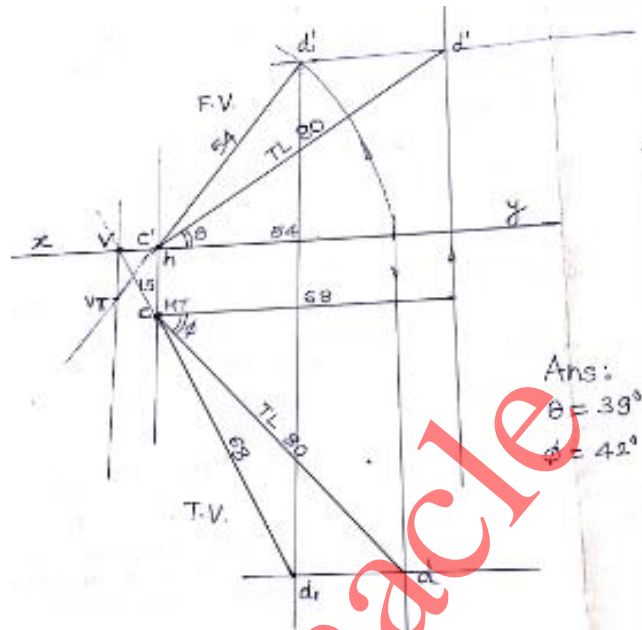
2

Solve any Three:

04

a

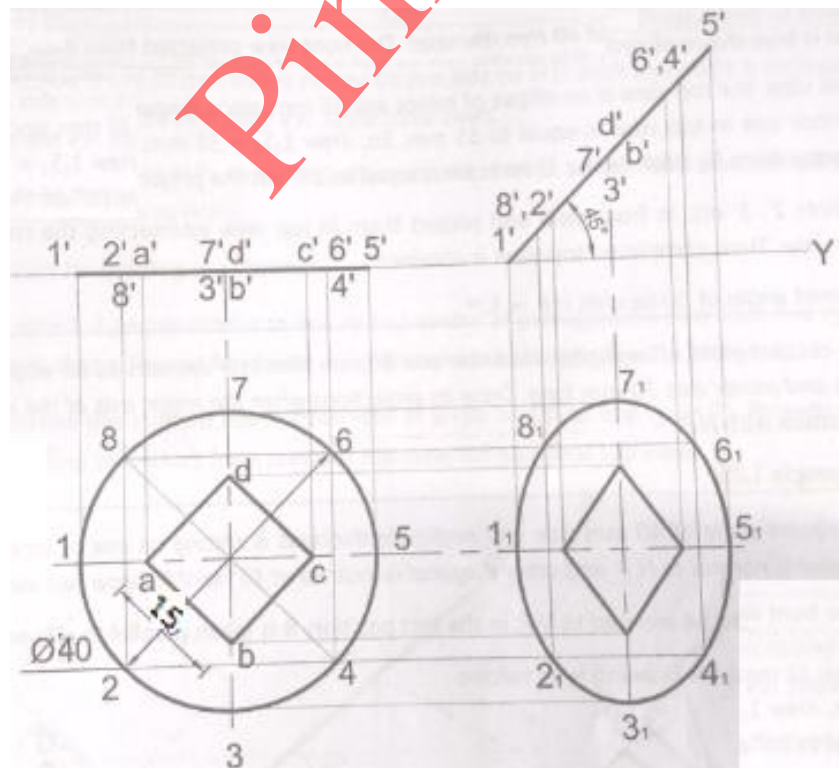
(02 Marks for initial Position, 02 Marks for final position)



b

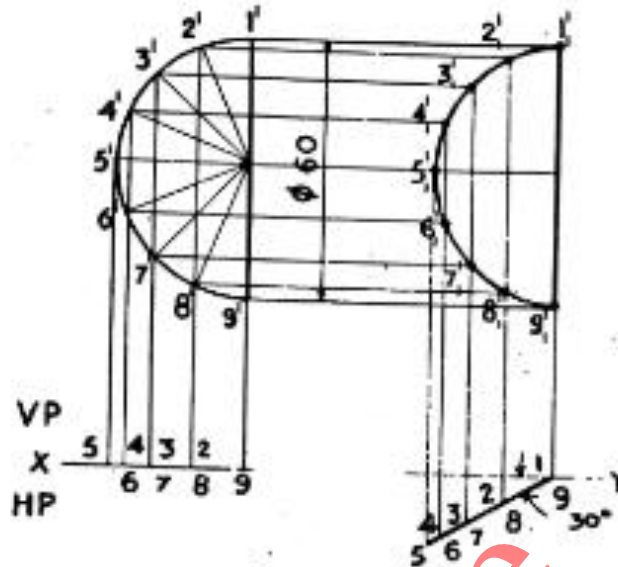
(02 Marks for initial Position, 02 Marks for final position)

04



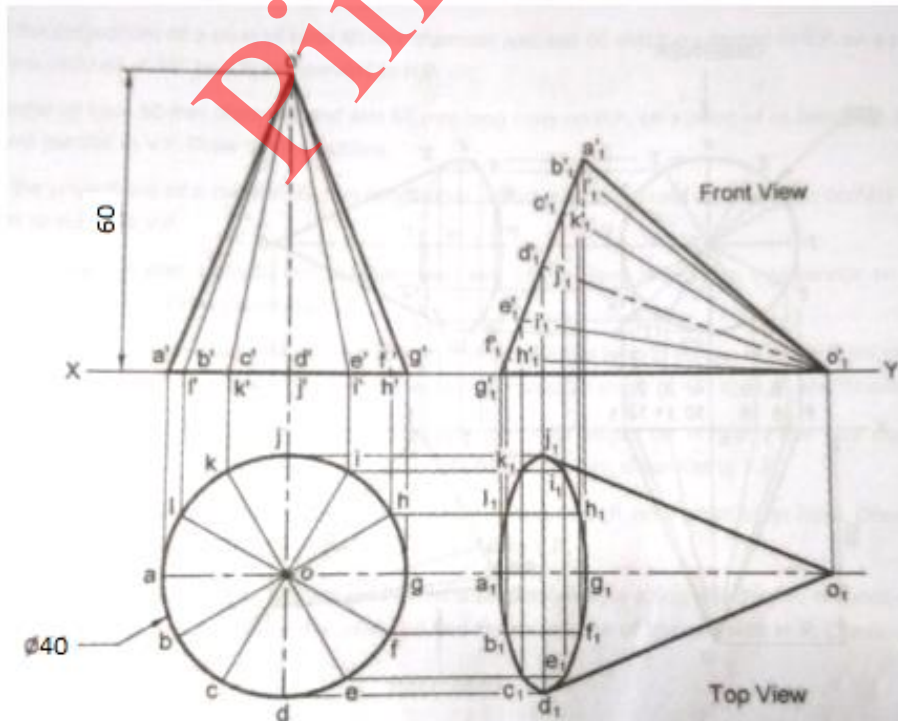
c (02 Marks for initial Position, 02 Marks for final position)

04

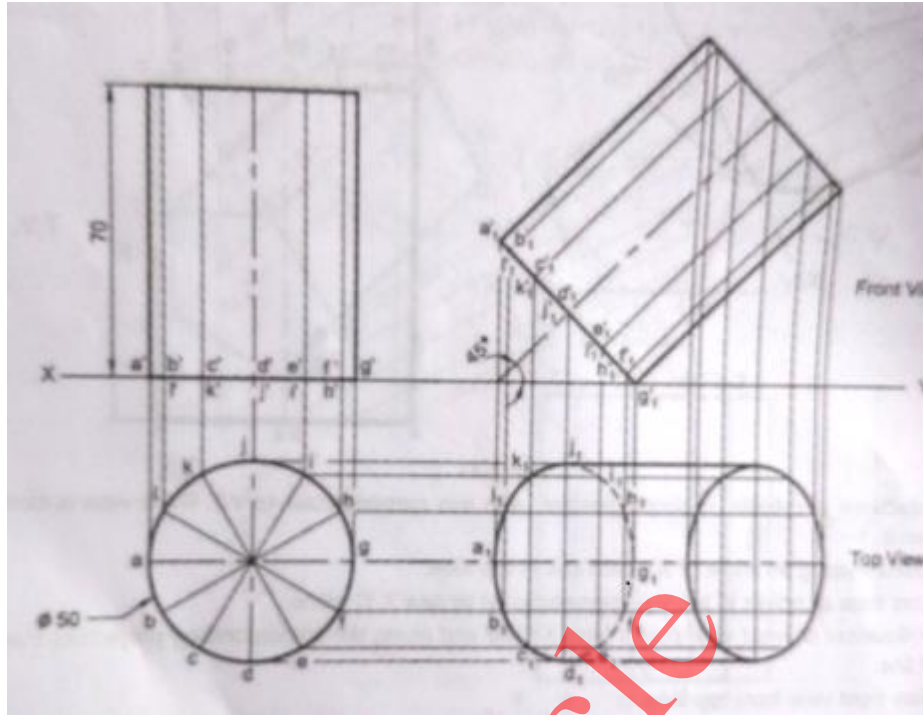


d (02 Marks for initial Position, 02 Marks for final position)

04



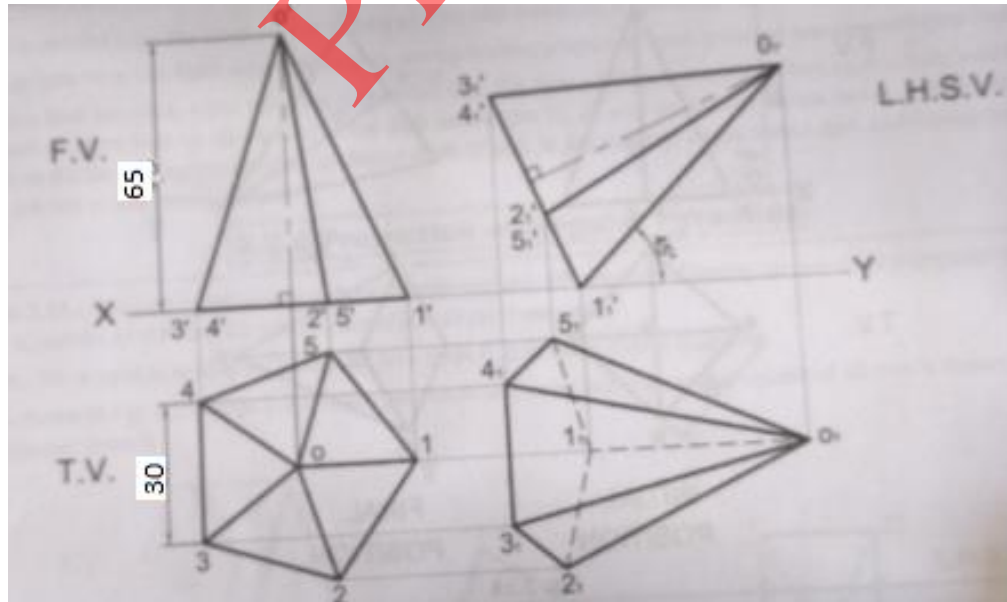
e (02 Marks for initial Position, 02 Marks for final position)



3 a

Solve any Two:

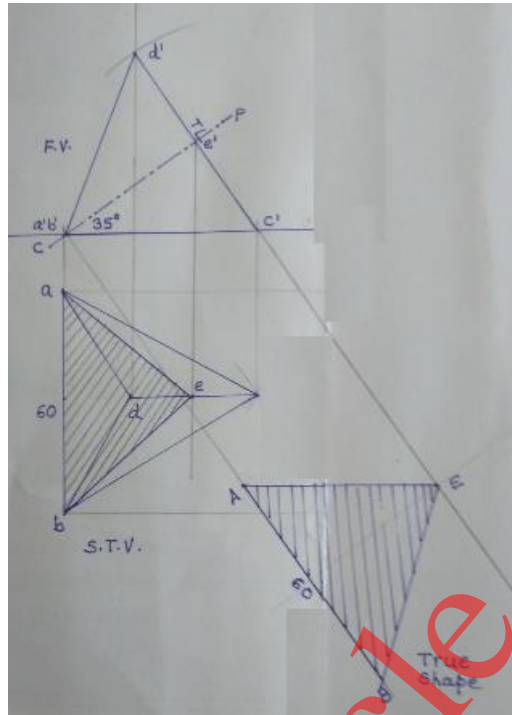
(04 Marks for initial Position, 04 Marks for final position)



08

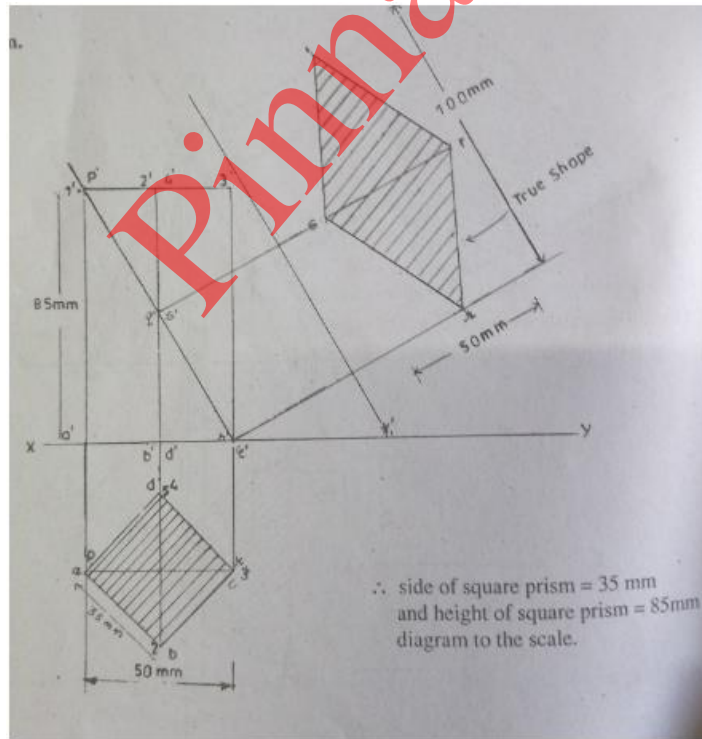
b (03 Marks for F.V., 03 Marks for Sect. T.V. and 02 Marks for true shape of section)

08



c (03 Marks for F.V., 03 Marks for Sect. T.V., and 02 Marks for true shape of section)

08

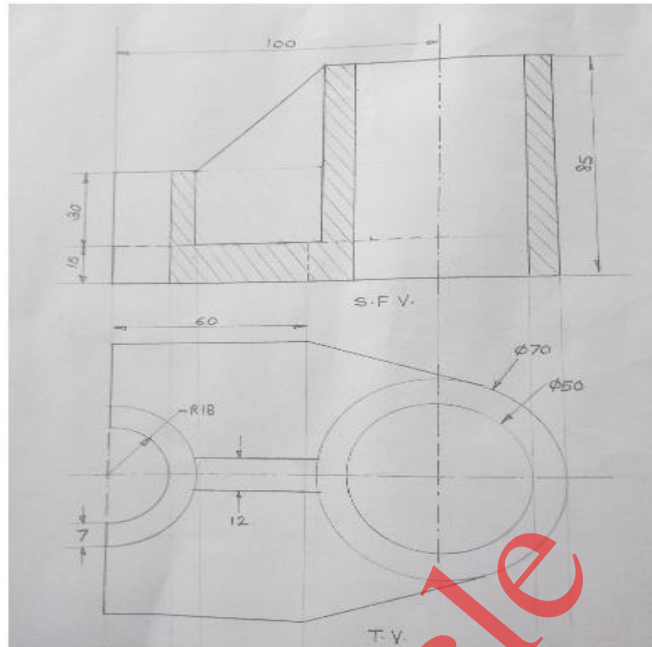


4

a

Solve any TWO:

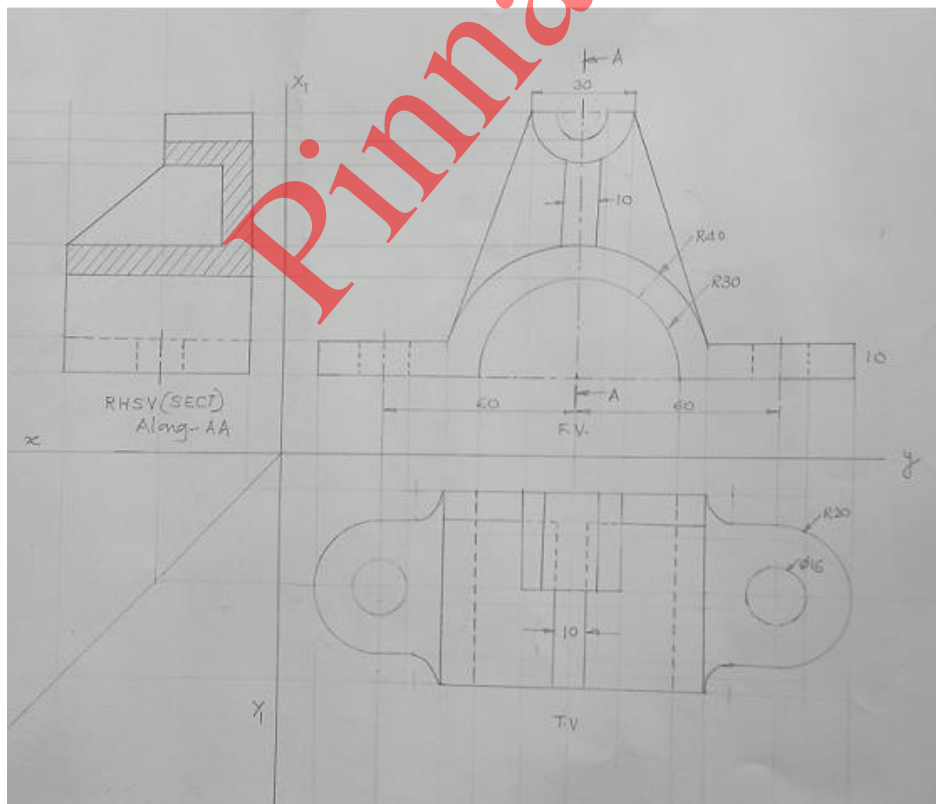
(04 Marks for Sect. F.V. and 04 Marks for T.V.)



08

b

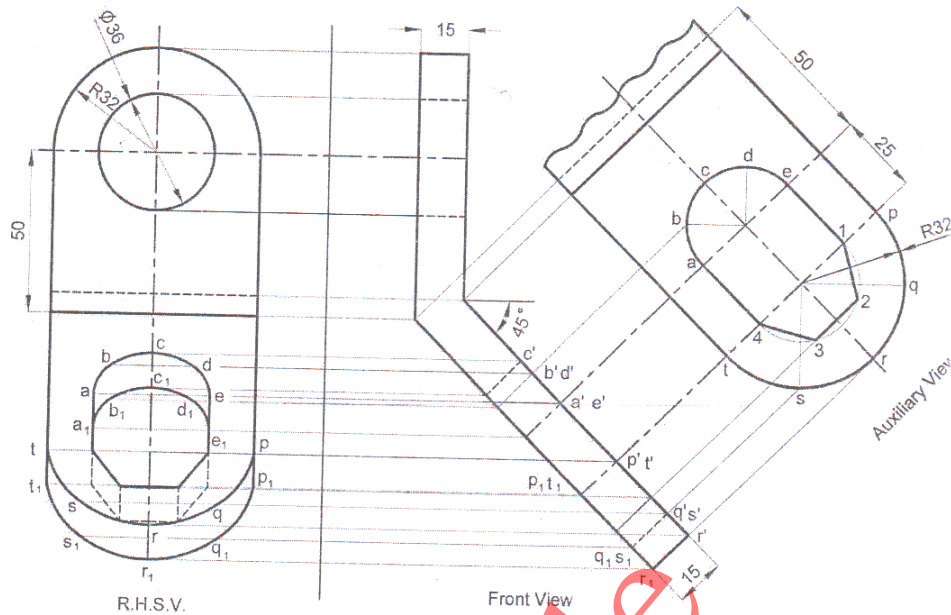
(03 Marks for Elevation, 03 Marks for plan and 02 Marks for sect. RHSV.)



08

08

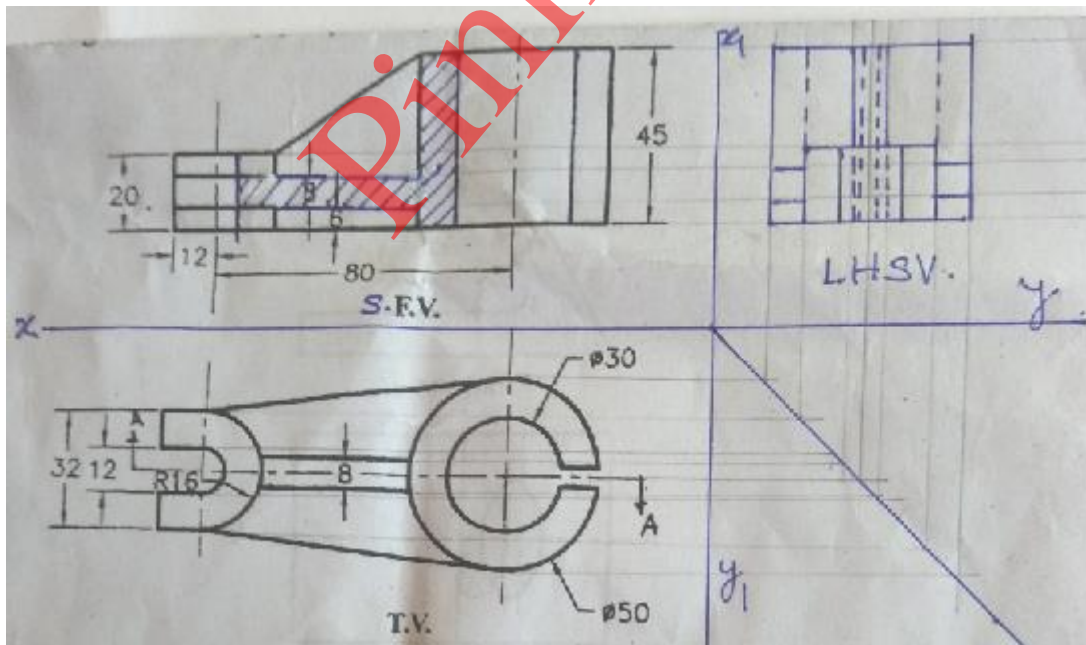
c (02 Marks for F.V., Auxiliary T.V. 02 Marks and 04 Marks for R.H.S.V.)



5 a

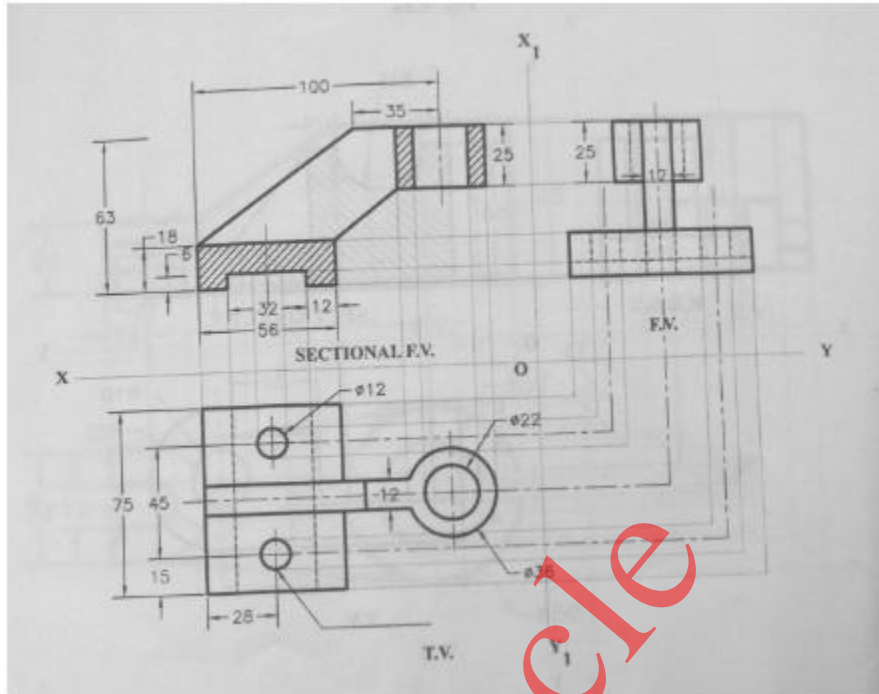
Solve any TWO:

(03 Marks for Sect. F.V., 02 Marks for T.V. and 03 Marks for R.H.S.V.)



08

b (03 Marks for Sect. F.V., 02 Marks for T.V. and 03 Marks for L.H.S.V.)



c (02 Marks for F.V., T.V. 02 Marks and 04 Marks for Auxiliary Front View.)

